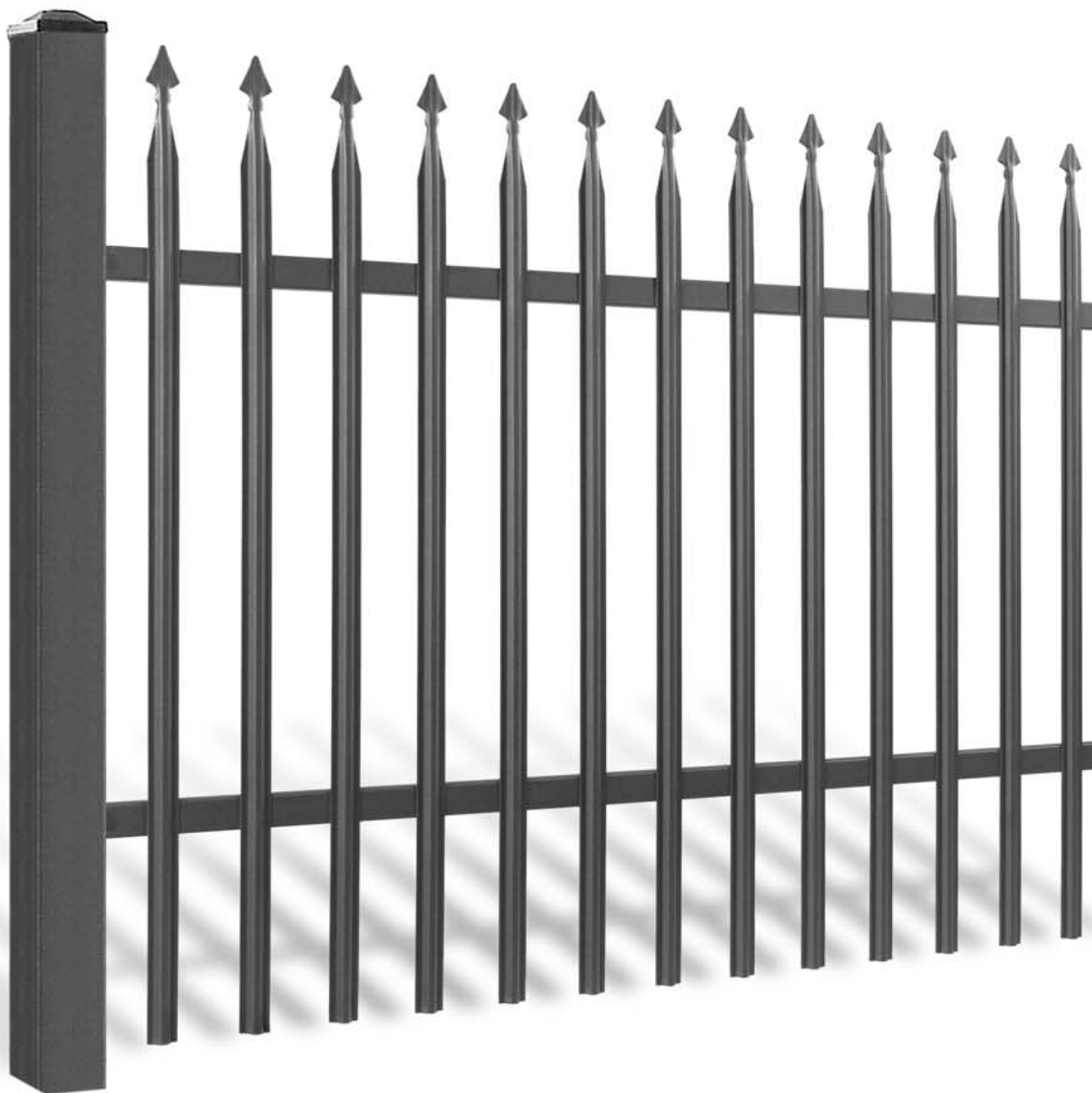


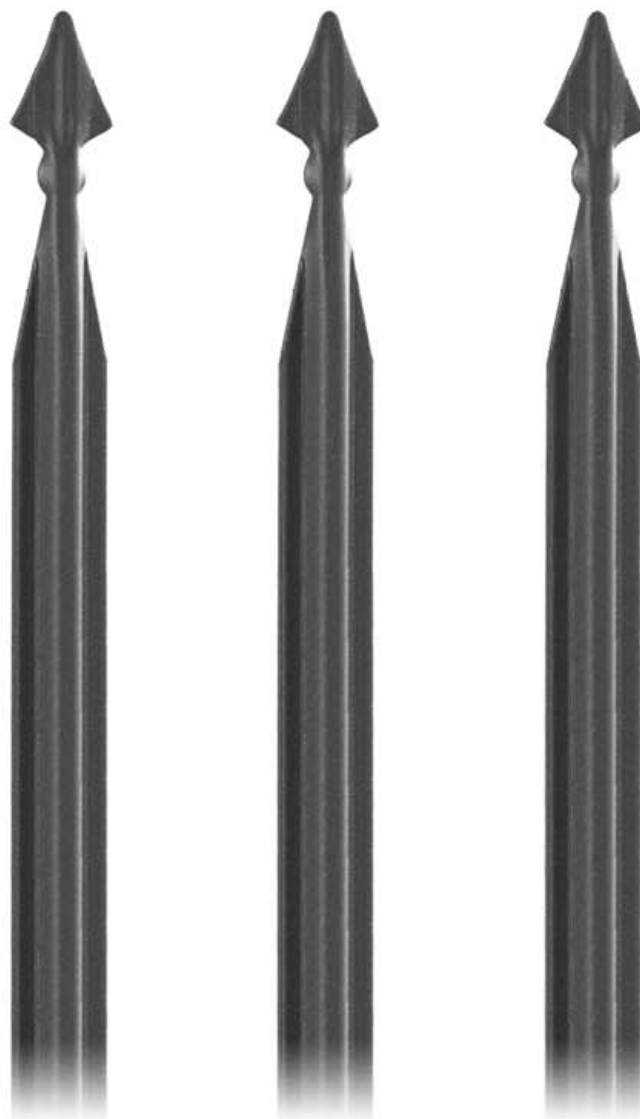


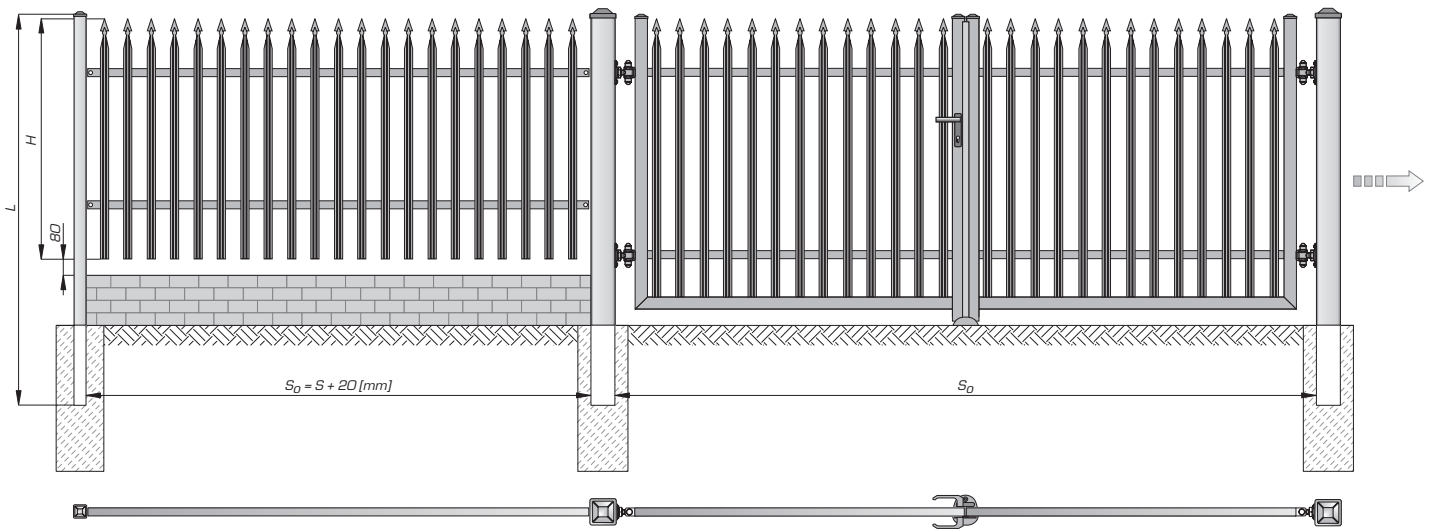
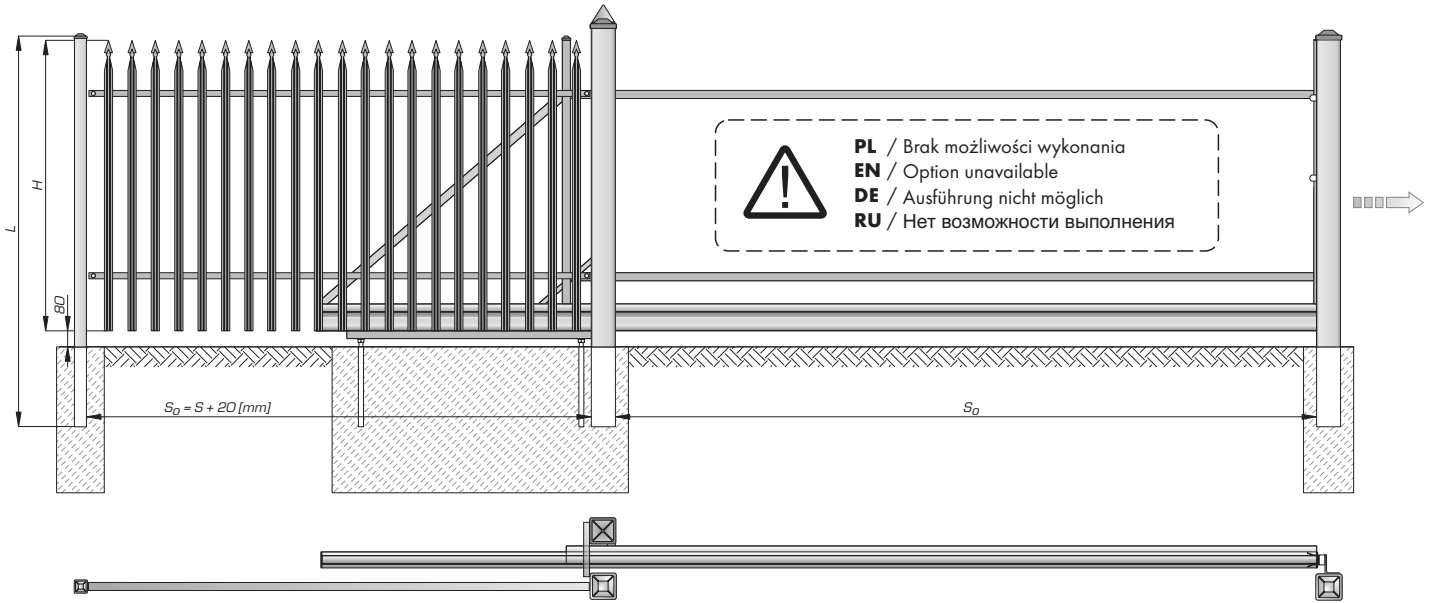
System Classic  
AW.10.30



Gedvydžių g. 17A, LT-06311 Vilnius  
Tel. +370 5 2761885  
Vilnius@ometal.it

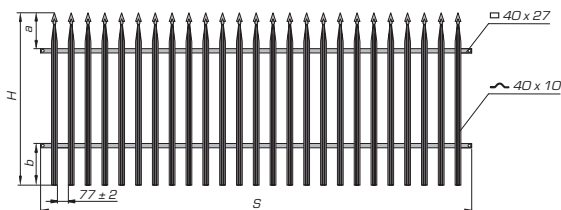
Ramygalos 137F, LT-36220 Panevėžys  
Tel.: +370 45 58 66 61  
Info@ometal.it





AW.10.30/P

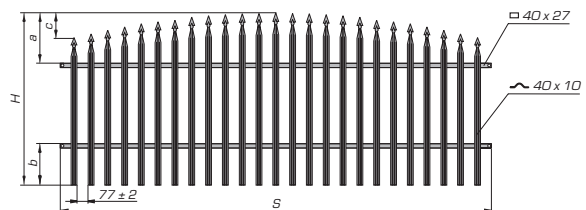
|                                       |                                       |
|---------------------------------------|---------------------------------------|
| (S) 2500 [mm] x (H) 900 [mm] - 26 kg  | (S) 3000 [mm] x (H) 1200 [mm] - 38 kg |
| (S) 2500 [mm] x (H) 1200 [mm] - 32 kg | (S) 3000 [mm] x (H) 1450 [mm] - 45 kg |
| (S) 2500 [mm] x (H) 1450 [mm] - 38 kg |                                       |
| max: (S) 3000 [mm] x (H) 1750 [mm]    |                                       |



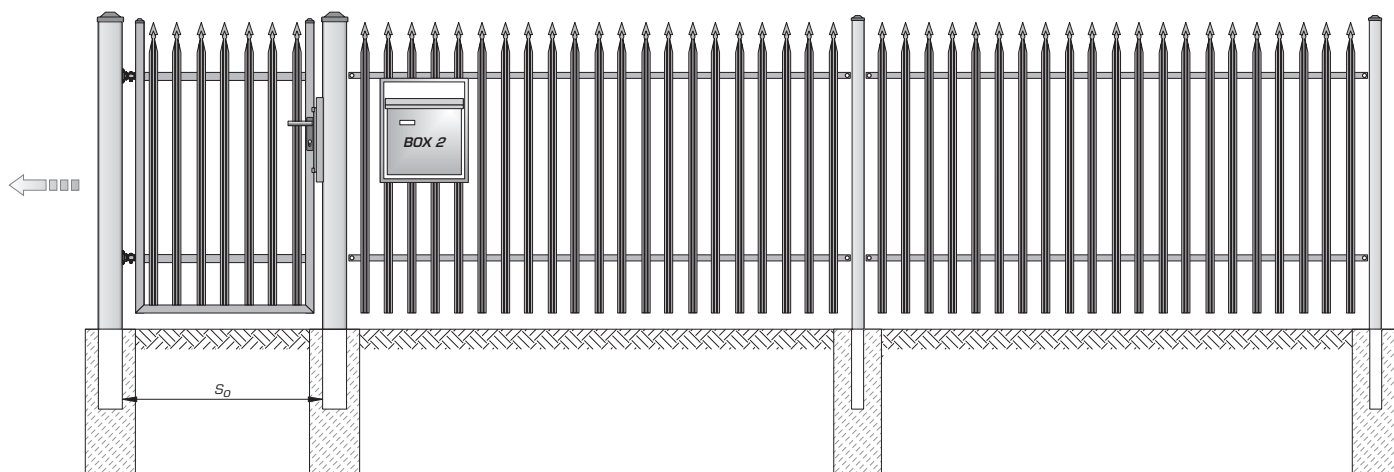
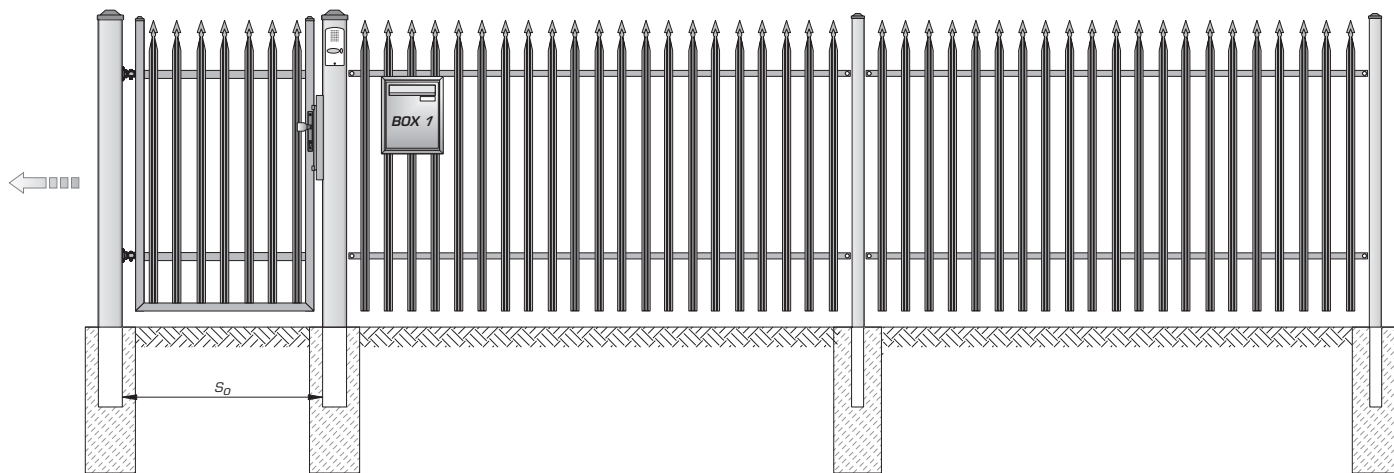
$H \geq 1000$  :  $a=250$ ,  $b=300$ ,  $H_{min}=800$        $800 \leq H < 1000$  :  $a=250$ ,  $b=200$ ,  $H_{min}=800$

AW.10.30/Wp

|                                       |                                       |
|---------------------------------------|---------------------------------------|
| (S) 2500 [mm] x (H) 900 [mm] - 24 kg  | (S) 3000 [mm] x (H) 1200 [mm] - 36 kg |
| (S) 2500 [mm] x (H) 1200 [mm] - 30 kg | (S) 3000 [mm] x (H) 1450 [mm] - 43 kg |
| (S) 2500 [mm] x (H) 1450 [mm] - 36 kg |                                       |
| max: (S) 3000 [mm] x (H) 1750 [mm]    |                                       |

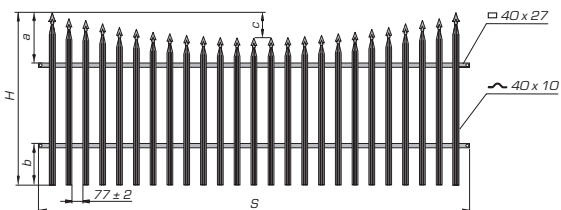


$H \geq 1100$  :  $a=350$ ,  $b=300$ ,  $c=175$ ,  $H_{min}=900$        $900 \leq H < 1100$  :  $a=350$ ,  $b=200$ ,  $c=175$ ,  $H_{min}=900$

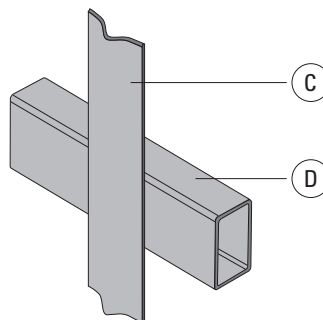


AW.10.30/Wk

|                                       |                                       |
|---------------------------------------|---------------------------------------|
| (S) 2500 [mm] x (H) 900 [mm] - 24 kg  | (S) 3000 [mm] x (H) 1200 [mm] - 36 kg |
| (S) 2500 [mm] x (H) 1200 [mm] - 30 kg | (S) 3000 [mm] x (H) 1450 [mm] - 43 kg |
| (S) 2500 [mm] x (H) 1450 [mm] - 36 kg |                                       |
| max: (S) 3000 [mm] x (H) 1750 [mm]    |                                       |



$H \geq 1100$  :  $a=350, b=300, c=175, H_{min}=900$      $900 \leq H < 1100$  :  $a=350, b=200, c=175, H_{min}=900$



U1    C 40x10    D 40x27