

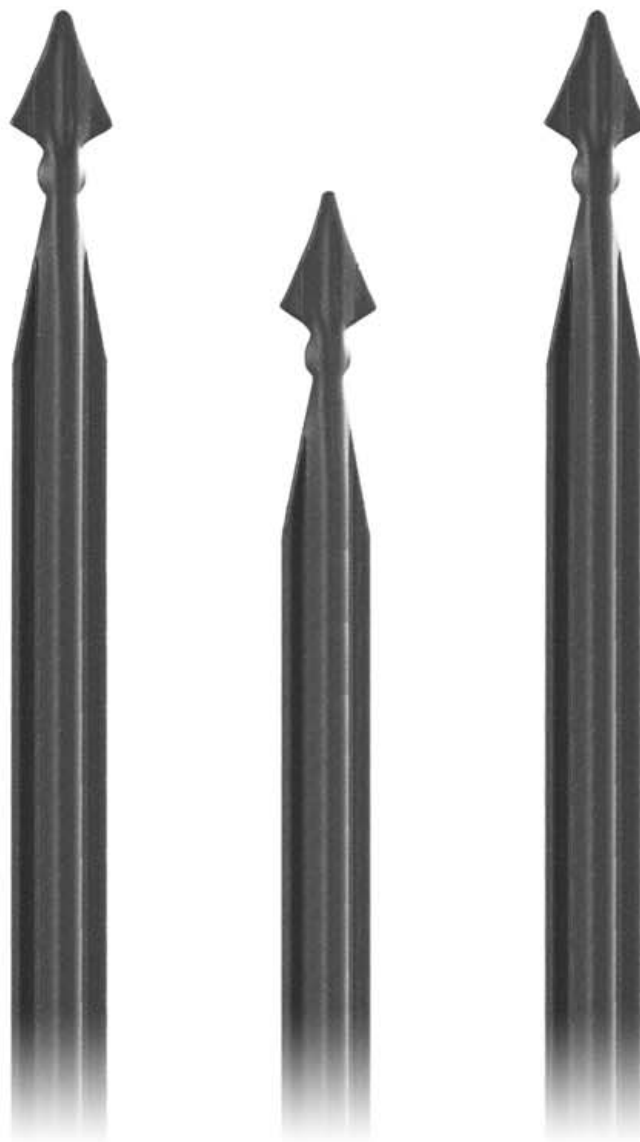


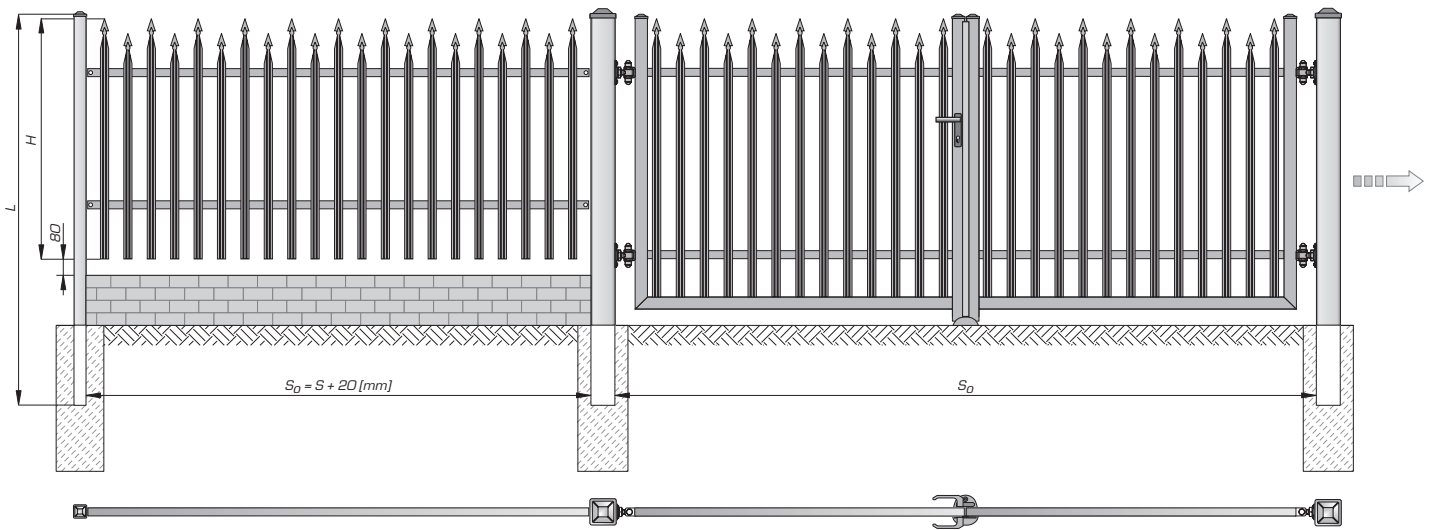
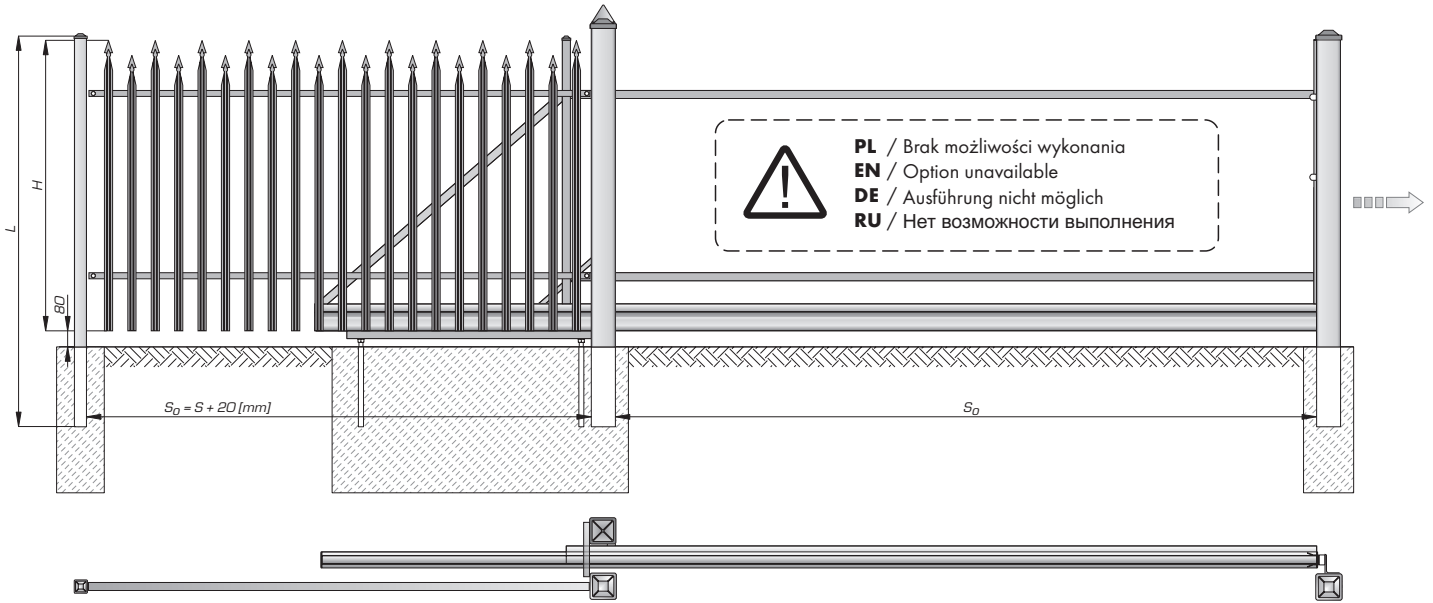
System Classic
AW.10.37



Gedvydžių g. 17A, LT-06311 Vilnius
Tel. +370 5 2761885
Vilnius@ometal.it

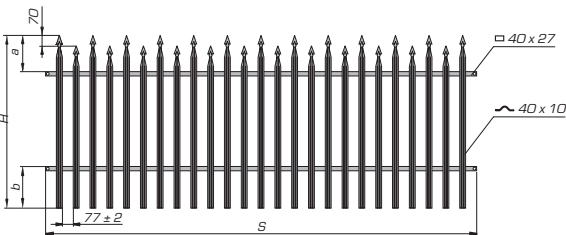
Ramygalos 137F, LT-36220 Panevėžys
Tel.: +370 45 58 66 61
Info@ometal.it



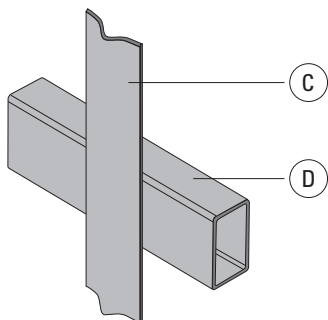
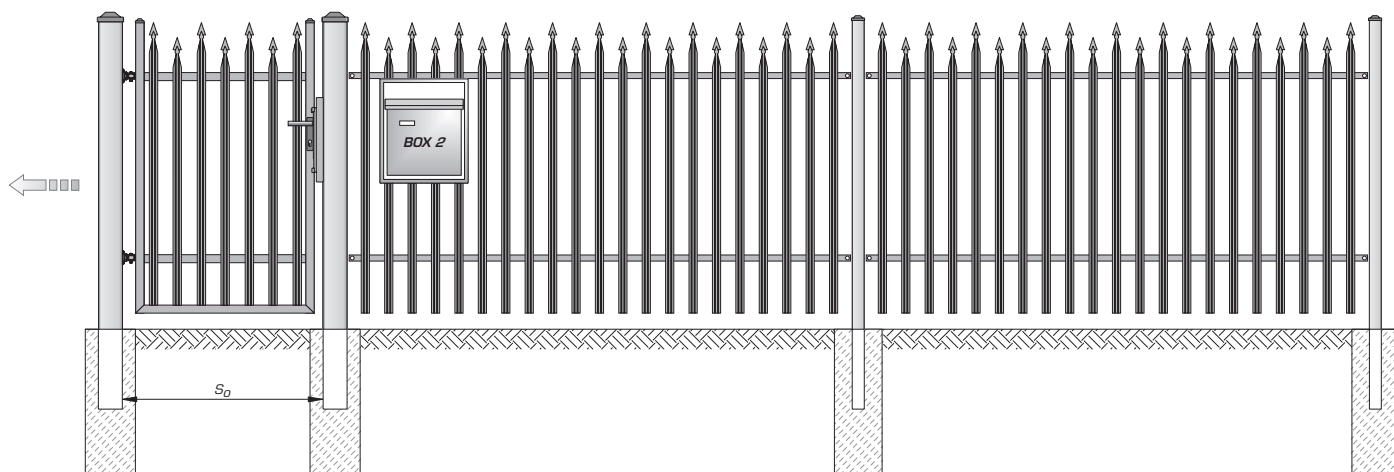
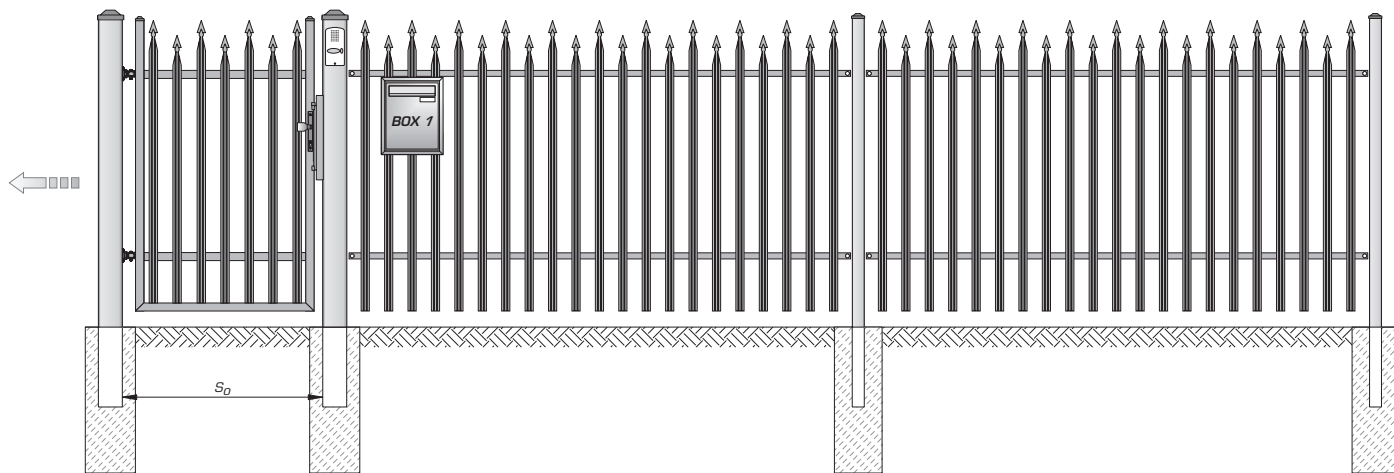


AW.10.37/P

(S) 2500 [mm] x (H) 900 [mm] - 26 kg	(S) 3000 [mm] x (H) 1200 [mm] - 38 kg
(S) 2500 [mm] x (H) 1200 [mm] - 32 kg	(S) 3000 [mm] x (H) 1450 [mm] - 44 kg
(S) 2500 [mm] x (H) 1450 [mm] - 38 kg	
max: (S) 3000 [mm] x (H) 1750 [mm]	



$H \geq 1000$: $a=250$, $b=300$, $H_{min}=800$ $800 \leq H < 1000$: $a=250$, $b=200$, $H_{min}=800$



U1 C 40x10 D 40x27