

BASIC

The BASIC system infills are made of closed steel shapes with the cross section of 15 x 15 [mm].

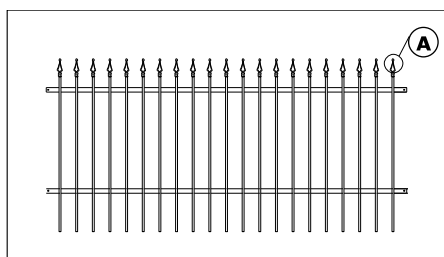


Fig. 1. AW.10.90 (a 15 x 15).

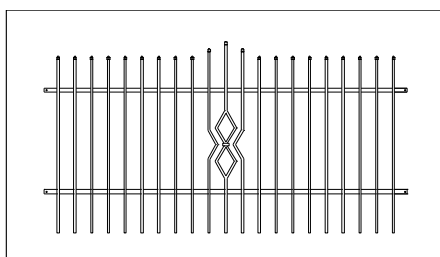


Fig. 2. AW.10.91 (a 15 x 15).

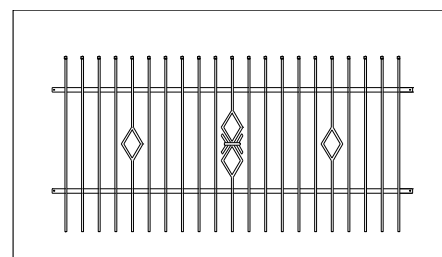


Fig. 3. AW.10.92 (a 15 x 15).

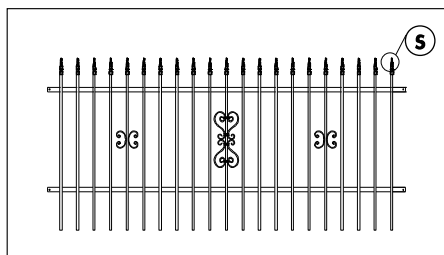


Fig. 4. AW.10.93 (a 15 x 15).

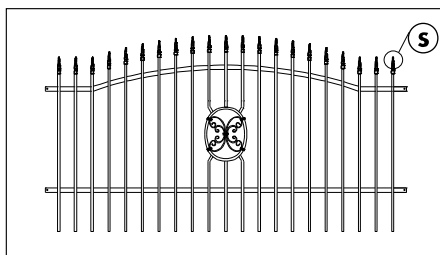


Fig. 5. AW.10.94 (a 15 x 15).

Tops

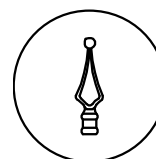


Fig. 6. A top.

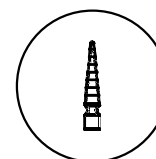


Fig. 7. S top.

General information

Sliding gate

- Cantilever gate with a set of carriage elements, a receiver and an assembly kit.
- Anti-corrosion protection: hot galvanized or hot galvanized + powder coating RAL 9005/MATT.
- Gate components:
 - Leaf infill: 15 x 15 [mm] closed steel shapes;
 - Top edge finish - depends on the model;
 - 95 x 85 [mm] carrying rail;
 - Manually-operated gate - hook lock;
 - Gate with the AWso2000 drive in post

So - distance between posts (ordering dimension);
H - leaf height (ordering dimension);

Double-leaf gate

- Open structure gate.
- Anti-corrosion protection: hot galvanized or hot galvanized + powder coating RAL 9005/MATT.
- Gate components:
 - Leaf infill: 15 x 15 [mm] closed steel shapes;
 - Top edge finish - depends on the model;
 - Right active leaf;
 - Symmetrical leaves; passive leaf with bolt;
 - Gate installed on posts on F type assembly plates.

So - distance between posts (ordering dimension);
H - leaf height (ordering dimension);

Wicket

- Open structure wicket.
- Anti-corrosion protection: hot galvanized or hot galvanized + powder coating RAL 9005/MATT.
- Wicket components:
 - Leaf infill: 15 x 15 [mm] closed steel shapes;
 - Top edge finish - depends on the model;
 - Accessories (not included in the wicket price - order as new items):

Manually-operated wicket - see fig. 8

Wicket with electromagnetic lock - see fig. 9.

So - distance between posts (ordering dimension);
H - wicket leaf height (ordering dimension);

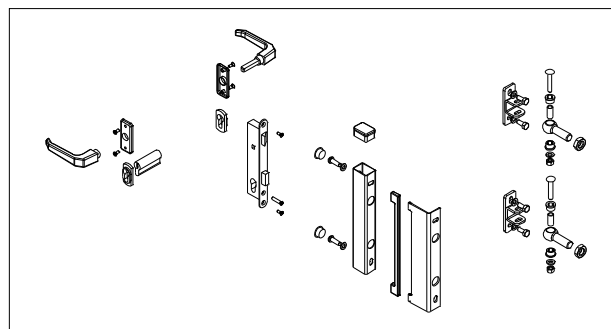


Fig. 8. Accessories for wicket with standard lock

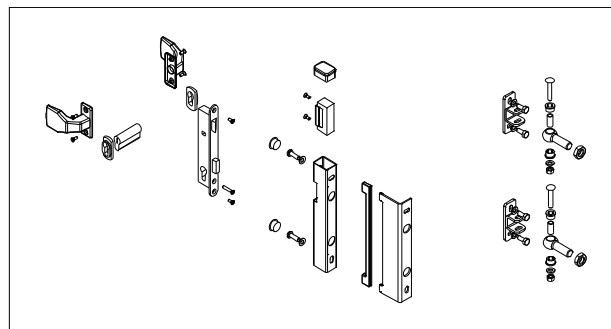


Fig. 9. Accessories for wicket with electromagnetic lock

Segment

- Segment infill: 15 x 15 [mm] closed steel shapes.
- anti-corrosion protection: hot galvanized or hot galvanized + powder coating

S - segment width (ordering dimension);
H - segment height (ordering dimension);

Segment assembly accessories

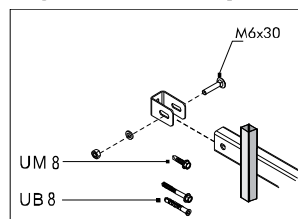


Fig. 10. Set of assembly accessories.

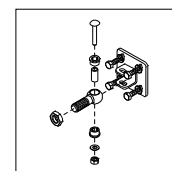


Fig. 11. Double-leaf gate - assembly type F.

Prices in the table:	Text on white - galvanized version Text on grey - galvanized version + RAL 9005 / MATT
----------------------	---

 **Sliding gates**

Model	Width x height (S _o x H) in [mm]			
	3500x1200	3500x1450	4000x1200	4000x1450
AW.10.90/P	633	660	687	719
	765	803	833	874
AW.10.91/P*	664	693	715	745
	800	837	861	902
AW.10.92/P	664	693	715	745
	800	837	861	902
AW.10.93/P	672	700	728	758
	810	847	878	919
AW.10.94/Wp	3500x1350	3500x1600	4000x1350	4000x1600
	753	781	809	840
	901	937	970	1011

Optional accessories		
AWso2000 drive unit	M3	476 per piece
AWso2000 / 230V drive unit	M4	518 per piece
4-channel transmitter 4GO		+ 24 per piece
4-channel transmitter 4A433		+ 30 per piece
SOMFY / ZOOM - 180 photocells		+ 49 / + 35 per set

 **Double-leaf gates**

Model	Width x height (S _o x H) in [mm]			
	3500x1200	3500x1450	4000x1200	4000x1450
AW.10.90/P	360	382	393	416
	447	477	486	519
AW.10.91/P*	398	419	426	450
	491	520	526	558
AW.10.92/P	398	419	426	450
	491	520	526	558
AW.10.93/P	388	410	424	447
	479	508	522	555
AW.10.94/Wp	3500x1350	3500x1600	4000x1350	4000x1600
	424	445	455	479
	520	549	559	592

Optional accessories		
BFT PHOBOS N BT drive unit		794 per piece
Two-channel transmitter BFT (Mitto 2)		+ 21 per piece
Photocells BFT (Cellula 130)		+ 49 per set

P - straight finish of the top edge
Wp - convex arc finish of the top edge.

(*) - The AW.10.91 model has three middle components of the infill which form a central buckle (100 mm), which is not included in the specification of the ordering height.

Optional accessories		
Assembly accessories	UM8 for steel posts (for galvanized and powder coated segments)	2 per piece
	UB8 for concrete posts (for galvanized and powder coated segments)	2 per piece
	UM8 for steel posts (for galvanized and powder coated segments) - set of 40 pcs	47 per set
	UB8 for concrete posts (for galvanized and powder coated segments) - set of 40 pcs	59 per set
Wicket accessories	Wicket with standard lock - see fig. 8	59 per set
	Wicket with electromagnetic lock - see fig. 9	88 per set
Assembly kits	for wickets installed on concrete posts	9 per set
	for double-leaf gates installed on concrete posts	23 per set
	for double-leaf gates and wickets installed on steel posts - set of 100 pcs (screw for metal)	12 per set

 **Wickets**

Model	Width x height (S _o x H) in [mm]	
	1000x1200	1000x1450
AW.10.90/P	88	95
	118	126
AW.10.91/P*	108	116
	138	146
AW.10.92/P	108	116
	138	146
AW.10.93/P	98	105
	129	138
AW.10.94/Wp	1000x1350	1000x1600
	117	123
	147	156

 **Segments**

Wzór	Width x height (S x H) in [mm]			
	2000x1200	2000x1450	2500x1200	2500x1450
AW.10.90/P	98	107	118	128
	115	126	138	150
AW.10.91/P*	114	122	130	140
	130	142	150	163
AW.10.92/P	114	122	130	140
	130	142	150	163
AW.10.93/P	112	121	132	143
	129	140	152	166
AW.10.94/Wp	2000x1350	2000x1600	2500x1350	2500x1600
	132	141	155	165
	151	162	176	189

 **SB posts**

SB posts	L - length [mm]	
Posts for double-leaf gates		
100x100 (3)	L = 1900 (at H = 1200 and H = 1350)	L = 2200 (at H = 1450 and H = 1600)
	55	63
	64	74
Wicket posts		
80x80 (3)	L = 1900 (at H = 1200 and H = 1350)	L = 2200 (at H = 1450 and H = 1600)
	44	50
	52	59
Segment posts		
60x60 (2)	L = 1700 (at H = 1200 and H = 1350)	L = 2000 (at H = 1450 and H = 1600)
	21	24
	26	29